

Trumeter **APM** (**Advanced Panel Meter**)

The most customizable,
easy-to-use panel meter line
on the market.



The Trumeter APM is an easy choice to modernize equipment, increase safety and reduce costs.

We don't mean to brag, but we guarantee your panel meters can't compete with the APM. Our engineers pack in the features that matter at unbeatable price points with IP65 and NEMA certifications so our units can handle whatever conditions they encounter. To top it off, we offer an industry-leading three-year warranty.

Go Ahead – Dream Big

We're more than just a world-class manufacturer: we specialize in custom product development. With Trumeter, you'll have a dedicated project management and engineering team to partner with you from concept to final production and delivery. Together, we will make sure that even your most challenging requirements are met on time and on budget.



World-Class Quality & On-Time Delivery

We've been measuring everything and delighting customers since 1937. But don't let our age make you think we're old fashioned. We have a talented engineering team and world-class manufacturing facilities producing more than a million products a year for more than 5,000 customers. With operations in the U.S., U.K. and Malaysia, we are well placed to meet your needs around the globe.

We've got you covered with the APM family

Every member of the APM meter family has unique dynamic backlighting and starburst messaging to instantly alert operators to problem conditions. And the alerts, scale and range are fully customizable through the plug-and-play software.



NORMAL RANGE



OPTIMAL RANGE



OUTSIDE RANGE



APM Meter Series



APM Power Meter



APM MAX Meter



Rate Meter



A specialized meter for measuring speed, rate and flow for applications including motor speed, pump controls and production line monitoring.

- Process time measurement
- Wide input range of 0-60kHz
- Accurate to 50ppm

Process Meter



A specialized meter for process control applications including variable speed drives, flow and pressure transducers, and linear and non-linear sensors.

- 20 point non-linear conversion
- Can measure 0-10V DC or 0-50mA
- 0.1% accuracy across the input range

Micro Meter

Micro Meter version available for low amperage measurements up to 200uA DC

Volt Meter



A general purpose meter for measuring mains voltage for applications including control panels and power supplies.

- Auto-detects AC or DC input
- Measures up to 600V DC/AC
- 1.0% accuracy

Frequency Meter



A specialized meter for measuring frequency and speed for applications including control panels, industrial applications and aviation.

- Accurately measures DC pulses from a sensor
- Supports a wide range of inputs between 2-400Hz
- 0.5% accuracy at 25C

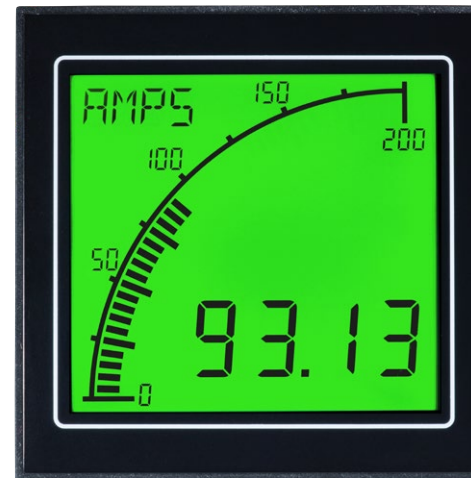
Shunt Meter



A specialized meter for measuring DC current in conjunction with an external shunt for applications including marine, leisure and material handling.

- For use with shunts up to 1000mV
- High resolution 0-1V DC input
- Measures to 0.1% accuracy of the signal or 0.5mV (whichever is greater)

AMP Meter



A general purpose meter for measuring AC & DC current for applications including control panels and power supplies.

- Auto-detects AC or DC input
- Measures 5A direct or up to 10,000A with a current transformer
- 1.0% accuracy

CT Meter



A specialized meter for measuring AC current in conjunction with an external CT for applications including motor control, heating control and industrial power supplies.

- For use with an external current transformer
- Monitors AC currents up to 10,000A in conjunction with a current transformer
- 0.5% accuracy

M1/M2 Meter



An all-in-one meter for measuring voltage, current or frequency.

The APM M1 and M2 all-in-one meters can be configured to measure amps, voltage or frequency. These versatile meters can be used for a range of applications including switchgear and power control centers.

- M1: PSU 12-24V AC/DC
- M2: PSU 100-240V AC

Temperature Meter



A specialized meter for measuring temperature with the use of thermocouples for applications including furnaces, refrigeration, industrial ovens and plastics.

- 4-20mA analog retransmission output
- 20 point non-linearization scale
- 0.25% accuracy

Power Meter



A universal power meter for single-phase, split-phase and 3-phase power monitoring applications.

- Works with potential and current transformers
- Modbus® RTU included
- 4 alarm setpoints



APM MAX



APM MAX M21

An all-in-one meter that can be configured to measure amps, voltage, frequency or power (Watts, VA, VAR & Power Factor). For high voltage applications.

APM MAX M23

An all-in-one meter that can be configured as a process meter or a shunt meter. For low voltage applications.

- Full color, configurable RGB backlight
- Modbus® RTU / TCP IP included
- 25% larger than the standard APM with the same size cutout

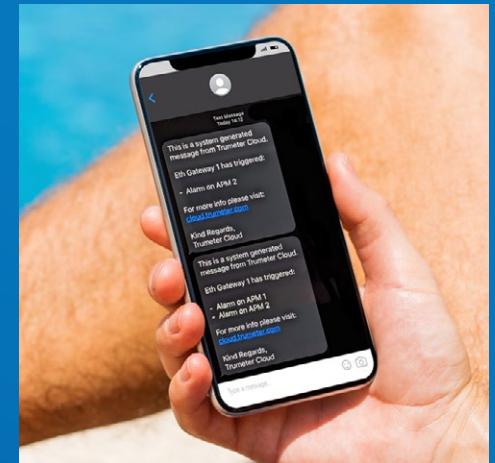
APM Meters Specifications

	Voltage			Current			Frequency			PSU	Communication
	Range	Accuracy	Galvanic Isolation	Range	Accuracy	Galvanic Isolation	Range	Accuracy	Galvanic Isolation		
VOLT	0-600V DC 0-600V AC	1% of full scale	None	-	-	-	-	-	-	12-24V AC/DC	2 Digital/Analog 4-20mA Option: Modbus® RTU
PROCESS	0-10V DC	0.1% of signal or 5mV, whichever is greater	None	0-50mA	0.01% of signal or 5µA, whichever is greater	None	-	-	-	12-24V AC/DC	2 Digital/Analog 4-20mA Option: Modbus® RTU
MICRO	-	-	-	0-200µA DC	0.1%	None	-	-	-	12-24V AC/DC	2 Digital/Analog 4-20mA Option: Modbus® RTU
FREQUENCY	-	-	-	-	-	-	2-400Hz	0.5% of full scale	None	12-24V AC/DC	2 Digital/Analog 4-20mA Option: Modbus® RTU
SHUNT	0-1V DC	0.1% of signal or 0.5mV, whichever is greater	None	-	-	-	-	-	-	12-24V AC/DC	2 Digital/Analog 4-20mA Option: Modbus® RTU
CT	-	-	-	0-10,000A via CT	0.5% of full scale	None	-	-	-	12-24V AC/DC	2 Digital/Analog 4-20mA Option: Modbus® RTU
AMP	-	-	-	0-5A direct. 0-10,000A via CT	1% of full scale	2.4Kv for 1 min	-	-	-	12-24V AC/DC	2 Digital/Analog 4-20mA Option: Modbus® RTU
RATE	-	-	-	-	-	-	0.001-60KHz	50ppm	None	12-24V AC/DC	2 Digital/Analog 4-20mA Option: Modbus® RTU
M1 / M2	0-600V DC 0-600V AC	1% of full scale	None	0-5A direct. 0-10,000A via CT	1% of full scale	2.4Kv for 1 min	2-400Hz	0.5% of full scale	None	M1: 12-24V AC/DC M2: 100-240V AC	2 Digital/Analog 4-20mA Option: Modbus® RTU
TEMPERATURE	Thermocouple Type B, E, J, K, N, R, S, T	0.25% of full scale	None	-	-	-	-	-	-	12-24V AC/DC	2 Digital/Analog 4-20mA Option: Modbus® RTU
MAX M21	0-600V DC/AC and 47-63Hz	1% of full scale	2.4Kv for 1 min	0-5A DC/AC 45-65Hz	1% of full scale	2.4Kv for 1 min	0-400Hz	1% of full scale	2.4Kv for 1 min	100-240V AC and 50-60Hz	2 Digital outputs 1 Analog 4-20mA or 0-10V Modbus® RTU and/or Modbus® TCP/IP
MAX M23	0-10V DC			0-50mA DC			0-400Hz				
POWER	0-300V AC LN / 0-600V AC LL	1% of full scale	3.7Kv for 1 min	5A Direct 0-10,000KA via CT	1% of full scale	3.7Kv for 1 min	50-60Hz	1% of full scale	3.7Kv for 1 min	100-277V AC and 50-60Hz	2 Digital outputs 1 Analog 4-20mA Modbus® RTU

Trumeter Cloud

Monitor your APMs from anywhere, any time.

The new Trumeter Cloud is the easiest way to remotely monitor the status of your systems. Our plug-and-play IoT gateway box provides instant connectivity to our entire APM line. Save time, respond to issues faster, and be more proactive about monitoring your equipment today!



Get instant text or email alerts for alarm conditions



- Easy installation and setup
- Remote monitoring of up to 4 APMs
- Email and/or text message on alarm conditions
- Exportable data securely stored in the Cloud for 45 days



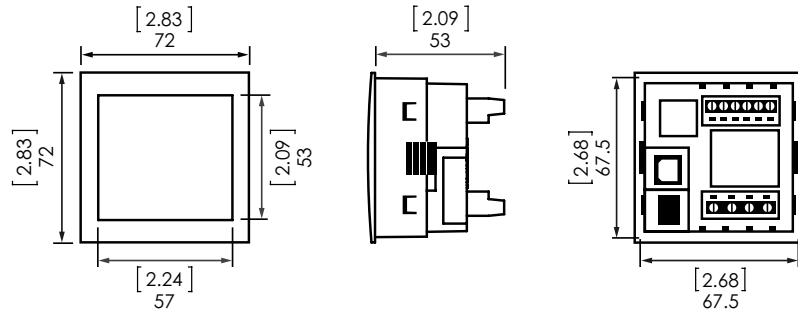
IoT Gateway for APMs

The IoT Gateway includes a 24 month subscription to Trumeter Cloud dashboard, plus 30 SMS and unlimited email alarm alerts per month.



APM Meter Dimensions

APM Meter Series

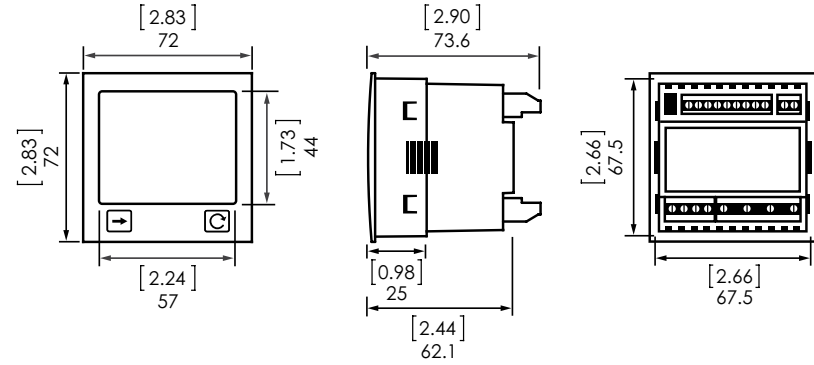


MECHANICAL

Dimensions: 72mm x 72mm x 53mm | 2.83" x 2.83" x 2.09"

Cutout: 68mm x 68mm | 2.68" x 2.68" as per DIN43700/IEC61554

APM Power Meter

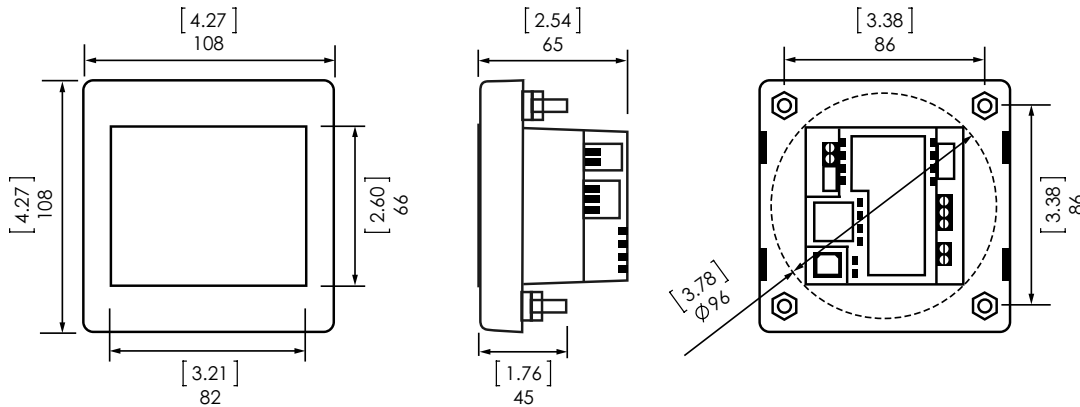


MECHANICAL

Dimensions: 72mm x 72mm x 74mm | 2.83" x 2.83" x 2.90"

Cutout: 68mm x 68mm | 2.68" x 2.68" as per DIN43700/IEC61554

APM MAX Meter



MECHANICAL

Dimensions: 108.4mm x 108.4mm x 64.5mm | 4.268" x 4.268" x 2.54"

Cutout: Square: 68mm x 68mm | 2.7" x 2.7" | Circle Diameter: 96mm | 3.8"



APM Evaluation Kits

Try out our APMs for free.

Our evaluation kits are fully-functioning meters and come with USB cable and configuration software.



APM MAX Meter

APM Power Meter

APM All Other Models