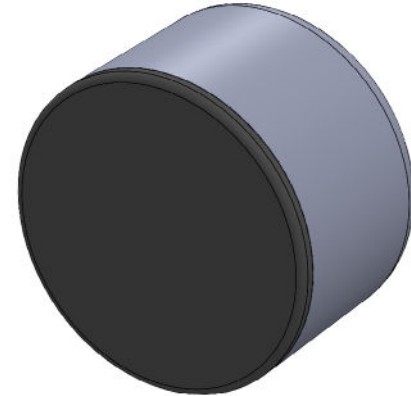


Introducing the TRACMILE™ CONNECTED HUBODOMETER by Veeder-Root



PART NUMBER | 350630-202

The **TRACMILE™ Connected Hubodometer** revolutionizes how we track and manage towable vehicles' mileage and maintenance. Building on the legacy of our mechanical hubodometers, this innovative, cellular-connected device brings a wealth of new features and capabilities to fleet owners, rental companies, and individuals alike.



KEY FEATURES

- **Enhanced Mileage Accuracy:** With the ability to count in both directions (CW/CCW), you'll always have an accurate record of your vehicle's mileage. The device supports all tire sizes, ensuring compatibility across a wide range of vehicles.
- **GPS Tracking:** Equipped with GPS technology, the TRACMILE™ Connected Hubodometer is invaluable for fleet management, theft prevention, and logistical planning.
- **Seamless Connectivity:** Leveraging America's most reliable network, the device includes a Verizon 4G LTE Cat-M1 SIM card for constant, reliable communication. No Access Point is required.
- **Durable and Reliable Design:** With an IP69K rating and constructed from shatter-resistant Lexan material, the TRACMILE™ Connected Hubodometer is designed to withstand harsh environmental conditions, including extreme temperatures, humidity, vibration, and shock.
- **Easy Installation and Maintenance:** Mount TRACMILE™ to your tire with a single bolt. Built-in energy-harvesting feature ensures longevity and virtually ZERO maintenance.
- **Comprehensive Software Suite:** Accessible via Android/iOS and web apps, the software provides a complete overview of your vehicle's mileage, location history, alerts, and more - all in one easy to use interface.

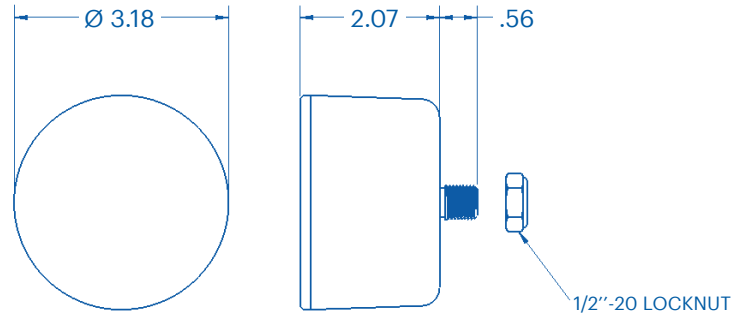
SPECIFICATIONS AT A GLANCE

Part Number	350630-202
Mileage Accuracy	+/- 3%
GPS Accuracy	within 10 meters
Connectivity	4G LTE Cat-M1 (Verizon)
Post Rate	1 post/hour
Tire Size Range	Supports all tire sizes
Operational Temperature	-30°C to 75°C
IP Rating	IP69K
Software	Map View, Asset Details, Trip History, Alerts and more

APPLICATIONS

This cutting-edge device is perfect for tracking:

- Mileage-based maintenance intervals, ensuring your vehicles are serviced at the right time to prevent breakdowns and extend their lifespan.
- Rental charges based on mileage, offering a transparent and fair way to charge for vehicle use.
- Asset location for fleet management, theft prevention, and logistical planning.



FULL SPECIFICATIONS

Part Number | 350630-202

Standard Operating Procedures

- **Energy Harvesting**
- **Mileage Accuracy:** +/- 3%
 - Bi-directional counting (CW/CCW)
- **GPS Accuracy:** within 10 meters
- **Connectivity:** No Access Point required, SIM and data plan annual subscription.
- **Post Rate:** 1 post/hour
- **Tire Size Range:** Supports all tire sizes
- **Application Compatibility:** Android/iOS and Web App

Mechanical

- **Depth:** 2-1/16"
- **Stud Length:** 5/8"
- **RPM Range:** 300 - 1100 RPM
- **Construction:**
 - **Housing and Cover:** Polycarbonate
 - **Threaded Shaft:** Stainless Steel
 - **Features:** Easy one-bolt installation (torque specifications: 50 – 60 Ft Lbs)

Environmental

- **IP Rating:** IP69K
- **Humidity:** Up to 98% (non-condensing)
- **Operational Temperature:** -30°C to 75°C
- **Storage Temperature:** -40°C to 85°C
- **Vibration:** 5 to 2000 Hz, 20G
- **Mechanical Resistance:** Shatter-resistant, Lexan material

Electrical

- **Cellular Carrier:** 4G LTE Cat-M1 (Verizon)
- **Noise Immunity:** Tested to EN61326-1 standards
- **Certifications:** FCC Certified

Software

- **Overview:** Description and highlights of features available on web and phone apps.
 - Location History
 - Total Mileage (Odometer Reset)
 - Alerts
 - Asset Configuration