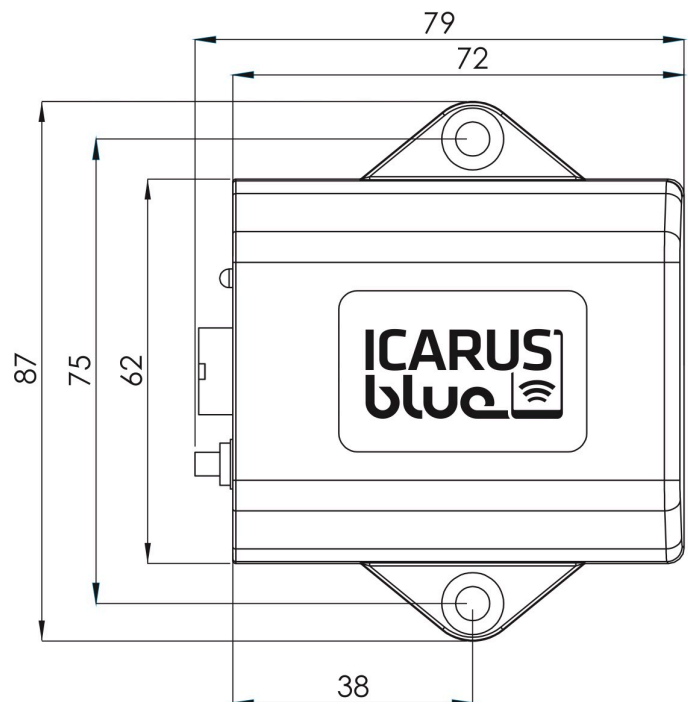
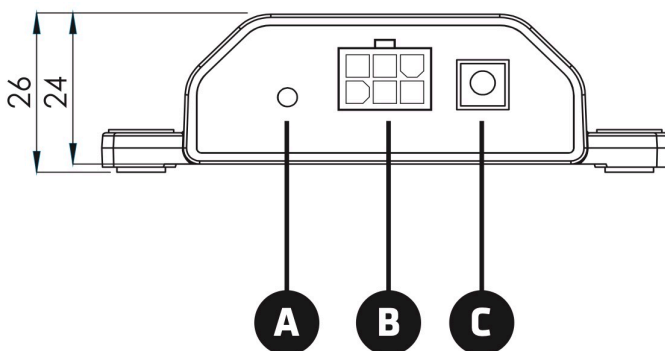
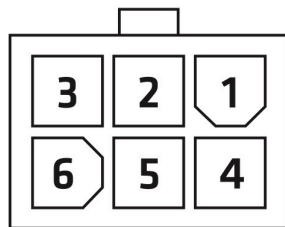


ICARUS blue

TECHNICAL SPECIFICATIONS

Frequency	2.4 GHz
Transmitting output	7.5 dBm
Work range	approx. 30m
Power consumption	~4mA at 12V
Power supply	9-36 Vdc
Outputs	4 outputs with a rated current of 3.7A each
Total current	max. 10A
Dimensions	79mm x 87mm x 26mm (L x B x H)
Weight	138g
Casing	cast casing (IP66)
Temperature range	-40°C to +80°C
Optical feedback	Two-colour LED (red/green)
App available for	Android and iOS
Max. number of paired units	24
Min. system requirements	Android 4.3, Bluetooth 4.0, iOS 8, iPhone 4s/iPad 3rd gen./iPod Touch 5th gen.

Function	Pin	Colour
0Vdc	4	Black
9-36V	1	Red
Output 1	2	Green
Output 2	5	Yellow
Output 3	3	Purple
Output 4	6	Grey



- A STATUS LED**
- B PLUG**
- C TEACH-IN BUTTON (PAIRING)**