

Direct Replacement for HQ4E Percent Timer & ATC Percent Timer

The NEW CYCL-TIME™ Percent Timer Series is an accurate, economical, enclosed percentage timer designed for use in applications where a repetitive “on” time of a fixed cycle needs to be variable.

This timer series is ideally suited for irrigation controls, chemical feeding, programmed temperature, electric heaters, ovens, motor controls and lubrication systems.

The panel mounted units have an easy to set dial. Four bolts at the corners of the front dial plate make it easy to securely mount the timers in panels up to ¼ inch thick. The timers have dimensions that fit the same cutout as the Eagle Signal HQ4E making these a suitable replacement unit. The load relays are enclosed for environmental protection. Electrical connections are made to the terminal block strip on the rear of the unit.

Functional Improvements over HQ4E Percent Timers & ATC Percent Timers:

- Better connections for safer, faster installation
- Enclosed electronics
- Upgraded potentiometer



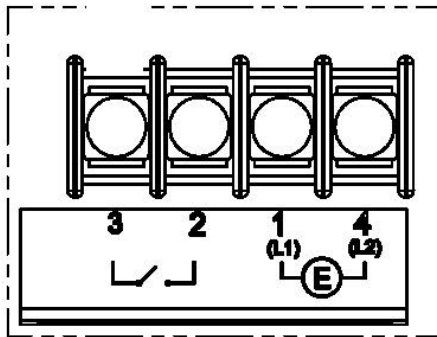
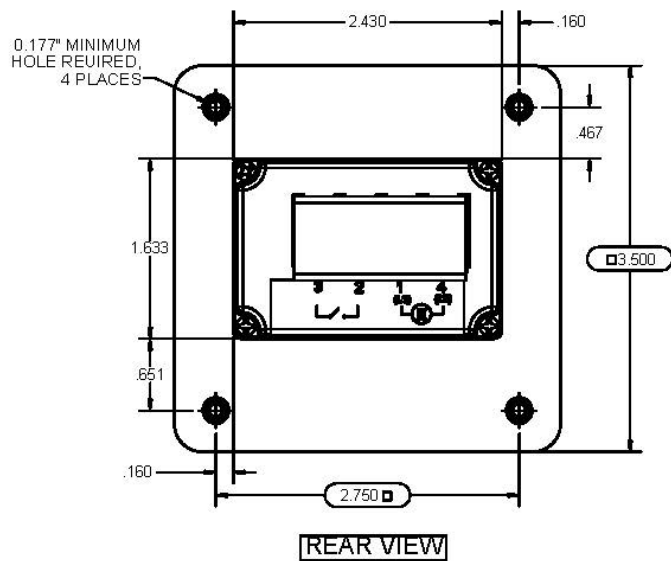
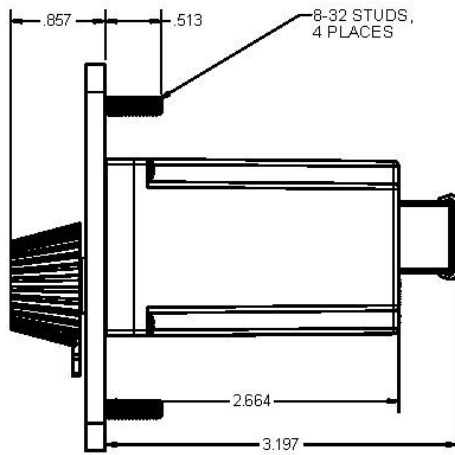
- Enclosure is fastened behind the panel with no penetration through the front plate
- Finger-safe terminal block with cover
- UL Recognized and CE compliant
- Robust potentiometer ensures the pointer remains at set point
- Hard mechanical stops at 0% and 100%
- Resists water, dust or other ingress

Specifications

INPUT VOLTAGE/FREQUENCY	120VAC (+10%, -15%) 50/60 Hz. 240VAC (+10%, -15%) 50/60 Hz.
POWER CONSUMPTION	1.2 watts
RELEASE OF INPUT VOLTAGE	10%
CONTACT RATINGS	10A, 120VAC, Resistive, Inductive. 1/6HP @120VAC 5A 240VAC, Resistive, Inductive. 1/2HP @ 240VAC
ELECTRICAL ENDURANCE	30,000 cycles
FREQUENCY OF OPERATION	Depends on time range
MECHANICAL ENDURANCE	30,000 cycles
CONTACT MATERIAL	Silver tin oxide
OPERATING TEMPERATURE	-10° to +140° F (-23° to +60° C)
REALTIVE HUMIDITY	25% to 85%
MOUNTING POSITION	Flush, Panel Mount
DEGREE OF PROTECTION	IP51 for panel surface only.
TYPE OF INSULATION	Functional, Pollution Degree 2

OVERVOLTAGE CATEGORY	Cat. 3, Pollution Degree 2
IMPULSE TEST	120VAC / 1,500 VAC 240VAC / 2,500 VAC
DIELECTRIC TEST	1,440 VAC~, 1 Minute
EMC IMMUNITY	8KV Static Air Discharge
PROSPECTIVE CURRENT	100A
UNIT FUNCTION	Repeat Cycle Relay
RECOVERY TIME	Complete Operating Cycle
MINIMUM CONTROL PULSE	<10mS
SETTING ACCURACY	1% of total time cycle
REPEATABILITY	±1% of Total Time Cycle
INFLUENCE EFFECTS	Voltage Error - Max. ±0.5% Temperature Error - Max. ±2%
WARRANTY	2 years
CERTIFICATION	UL CE

Dimensions



ELECTRICAL CONNECTIONS, 8 IN-LBS MAX TORQUE ON TERMINAL SCREWS.

DIMENSIONS IN INCHES.

Ordering Information

CT - XX XXX XX

SYM	DIAL RANGE
01	15 SEC.
02	30 SEC.
03	60 SEC.
04	120 SEC.
05	4 MIN.
06	5 MIN.
07	10 MIN.
08	15 MIN.
09	30 MIN.
10	60 MIN.
11	120 MIN.

SERIES	PROGRAM
S48	Memory*
S25	Reset**

SYM	DIAL RANGE
A6	120VAC
B6	240VAC