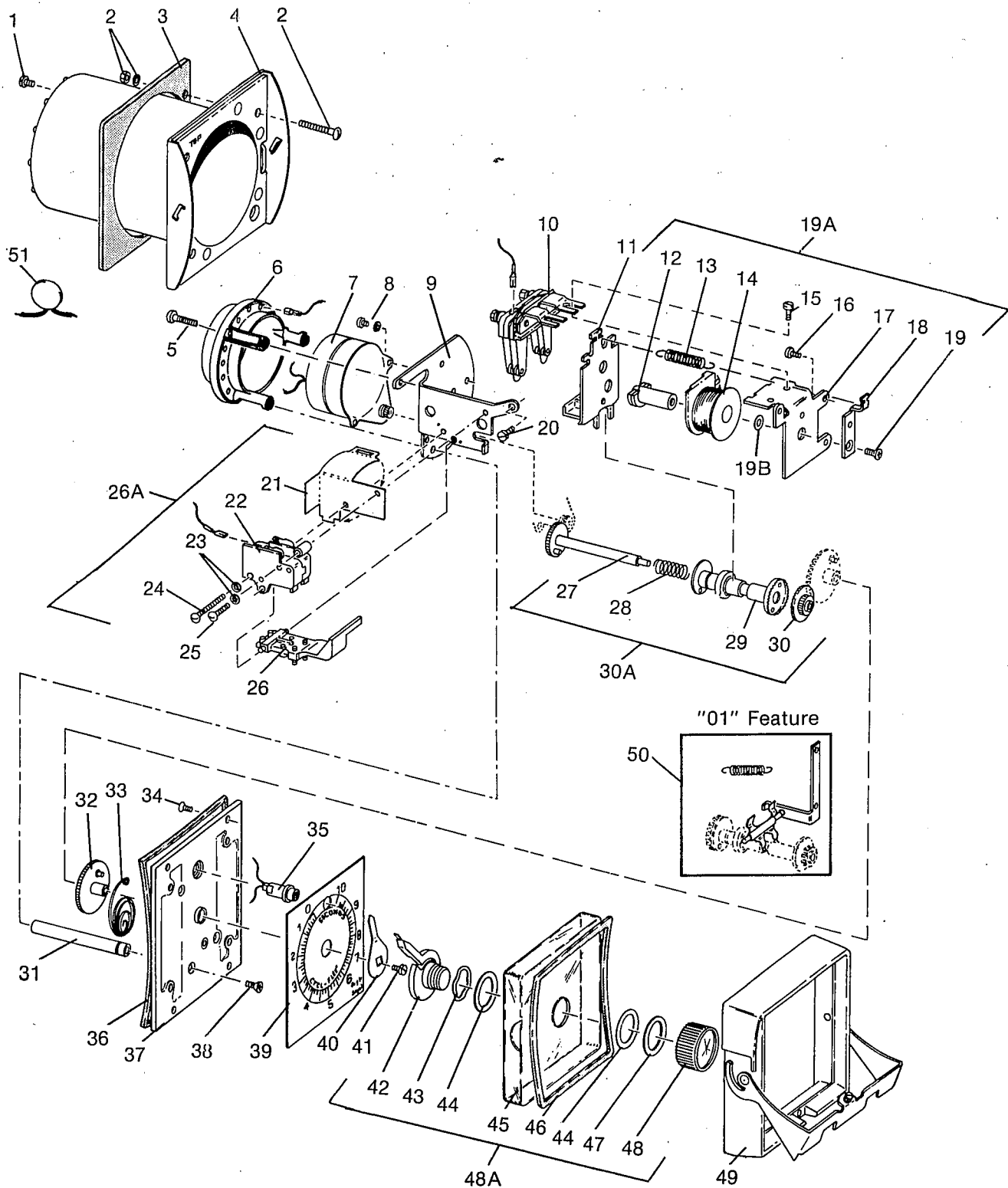


TIME CONTROL



PARTS LIST HP5/HP6 CYCL-FLEX® Reset Timer

BULLETIN 125E



Item	Description	Item	Description
1	0123214 6-32 x 1/4 Screw	27	HP50-7 Clutch shaft assembly
2	0196403 Mounting screw package	28	PES-167 Clutch spring
3	PBG-58 Gasket	29	HP50-8 Spool assembly
4	HP50-130 Housing assembly	30	HP50-5 Clutch disc and gear assembly
5	0128717 6-32 x 7/16 Pan head screw	30A	HP50-46 Complete clutch assembly
6	HP50-128 Terminal ring assembly (With loose terminals - replacement only) PDM-590 (Without terminals)	31	H-7621 Post
		32	HP50-1015 Pointer shaft and gear assembly
		33	PES-28 Reset spring
7	Motor - See Chart	34	0133409 6-32 x 3/8 Screw
8	0144930 Sems	35	PFP-118 120 V Pilot light PFP-119 240 V Pilot light
9	H-11535 Motor mounting plate for up to 5 min. H-10437 Motor mounting plate for 10 min. - 60 hr.		36
10	HP50-140 Replacement contact stack without wires. For contact stack with wires, order HP50-129. (Excluded on HP6 - and assorted wiring)	37	HP50-17 Front plate assembly
		38	0118817 6-32 x 1/4 Screw
		39	Dial - See Chart
11	HP50-62 Armature assembly	40	H-10441 Progress pointer
12	HP50-6 Coil core assembly	41	0123212 6-32 x 3/16 Screw
13	PES-166 Armature spring PES-253 used with 01 feature PES-394 Used with 04 feature	42	PDM-415 Setting pointer
		43	H-11147 Spring washer
		44	H-6556 Washer
14	Coil HP50-4 120V 50/60Hz HP50-86 240V 50Hz HP50-22 240V 60Hz	45	PDM-440 Window
		46	PBG-83 Gasket
		47	0158634 Valox washer
15	0123213 6-32 x 3/16 Screw	48	PBK-86 Knob (0135604 set screw)
16	0132709 6-32 x 3/8 Screw	48A	HP50-294 Window-Knob-Pointer assembly Includes items 42 - 48
17	H-7634 Magnet frame		
18	H-7521 Spring Bracket		
19	0119006 8-32 x 3/8 Screw	49	HP50-290 Bezel and handle assembly HP50-96 Chrome bezel and handle assembly Feature "05"
19A	HP50-45 Coil core and magnet assembly Includes items 12 - 17 - 18 - 19 - 19B		
19B	H-1282 Washer		
20	0123213 6-32 x 3/8 Screw	50	HP50-32 "01" Kit/Reverse clutch Includes: PES-253 Spring, H-7655 Bracket H-7656 Shaft, H-7823 Lift fork, PER-49 Retainer ring
21	PZA-79 Insulator		
22	PAS-561 Switch module		
23	0157001 #2 Shakeproof washer	51	PGR-204 MOV 240 Volts 50Hz Used with 50Hz Permanent magnet motors. Wire across terminals 2 and 12
24	0116013 2-56 x 13/16 Screw		
25	0116014 2-56 x 1/2 Screw		
26	HP50-108 Assembly		
26A	HP50-109 Switch Kit Includes items 22 - 26		

LUBE AND MAINTENANCE GUIDE

Use light instrument oil on all rotary shafts.

Clean and lubricate semi-annually for light duty, quarterly for heavy duty.

MOTOR (Ref 7) and DIAL (Ref 39) CHART

Symbol	Time Range	Motor RPM	MOTORS			DIALS	
			120V 50 or 60 Hz	240V 60 Hz	240V 50 Hz	60 Hz	50 Hz
17	5 Sec.	120	PMM-14	PMM-15	PMM-15	PAN-998	PAN-1024
15	10 Sec.	60	PMM-5	PMM-6	PMM-6*	PAN-1007	PAN-1021
14	15 Sec.	40	PMM-7	PMM-8	PMM-8*	PAN-1002	PAN-1019
0	30 Sec.	20	PMM-1	PMM-2	PMM-2*	PAN-1010	PAN-1016
1	60 Sec.	10	PMH-63	PMH-64	PMH-64	PAN-1004	PAN-1013
2	150 Sec.	4	PMH-66	PMH-67	PMH-67	PAN-1027	PAN-997
3	5 Min.	2	PMH-70	PMH-72	PMH-72	PAN-999	PAN-1025
4	10 Min.	1	PMH-79	PMH-82	PMH-82	PAN-1008	PAN-1022
18	15 Min.	2/3	PMH-76	PMH-75	PMH-75	PAN-1003	PAN-1020
5	30 Min.	1/3	PMH-91	PMH-94*	PMH-94	PAN-1011	PAN-1017
6	60 Min.	1/6	PMH-97	PMH-100	PMH-100	PAN-1005	PAN-1014
7	150 Min.	1/15	PMH-115	PMH-118	PMH-118	PAN-1028	PAN-1001
8	5 Hr.	1/30	PMH-127	PMH-130	PMH-130	PAN-1000	PAN-1026
9	10 Hr.	1/60	PMH-133	PMH-136	PMH-136	PAN-1009	PAN-1023
10	30 Hr.	1/180	PMM-48	PMM-49	PMM-49*	PAN-1012	PAN-1018
11	60 Hr.	1/360	PMM-50	PMM-51	PMM-51*	PAN-1006	PAN-1015

* Permanent magnet motor (Mallory) requires PGR-204 MOV (GE #V275LA20, or equivalent) across motor for 240V 50 Hz applications.