

CONNECTOR: DEUTSCH DT04-4P-E008

- 1 POWER
- 2 GROUND
- 3 CAN HIGH
- 4 CAN LOW

SPECIFICATIONS:

CAN BUS PROTOCOL: J1939

ELECTRICAL:

INPUT VOLTAGE: 10 TO 30VDC

CURRENT:

STANDBY: 30mA

NO LOAD: 1.5A

70 lb: 5A

MAX LOAD: 5.8A

MECHANICAL:

MAXIMUM STROKE: 3.125 INCHES

OUTPUT FORCE:

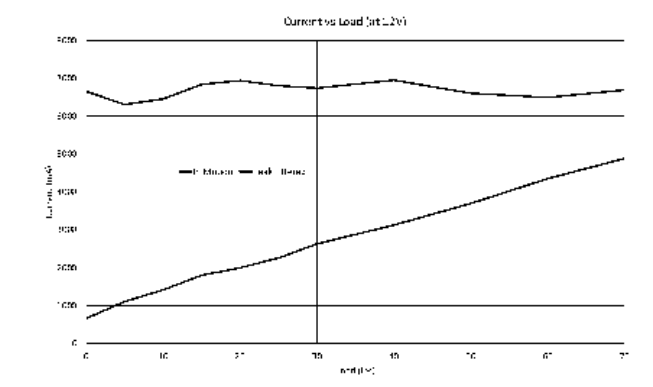
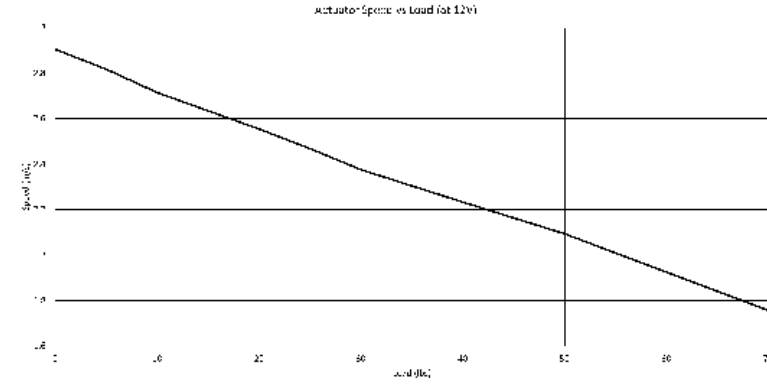
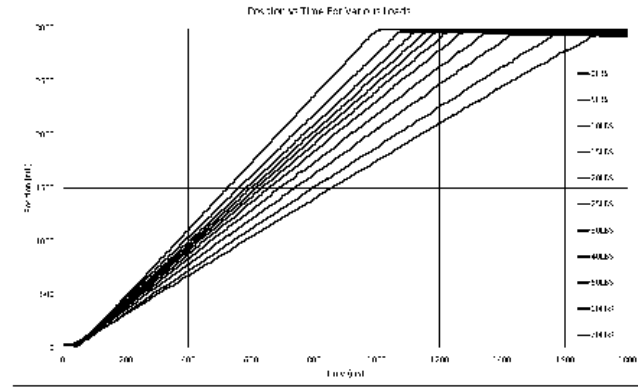
HOLDING: 90lb

DYNAMIC: 200lb

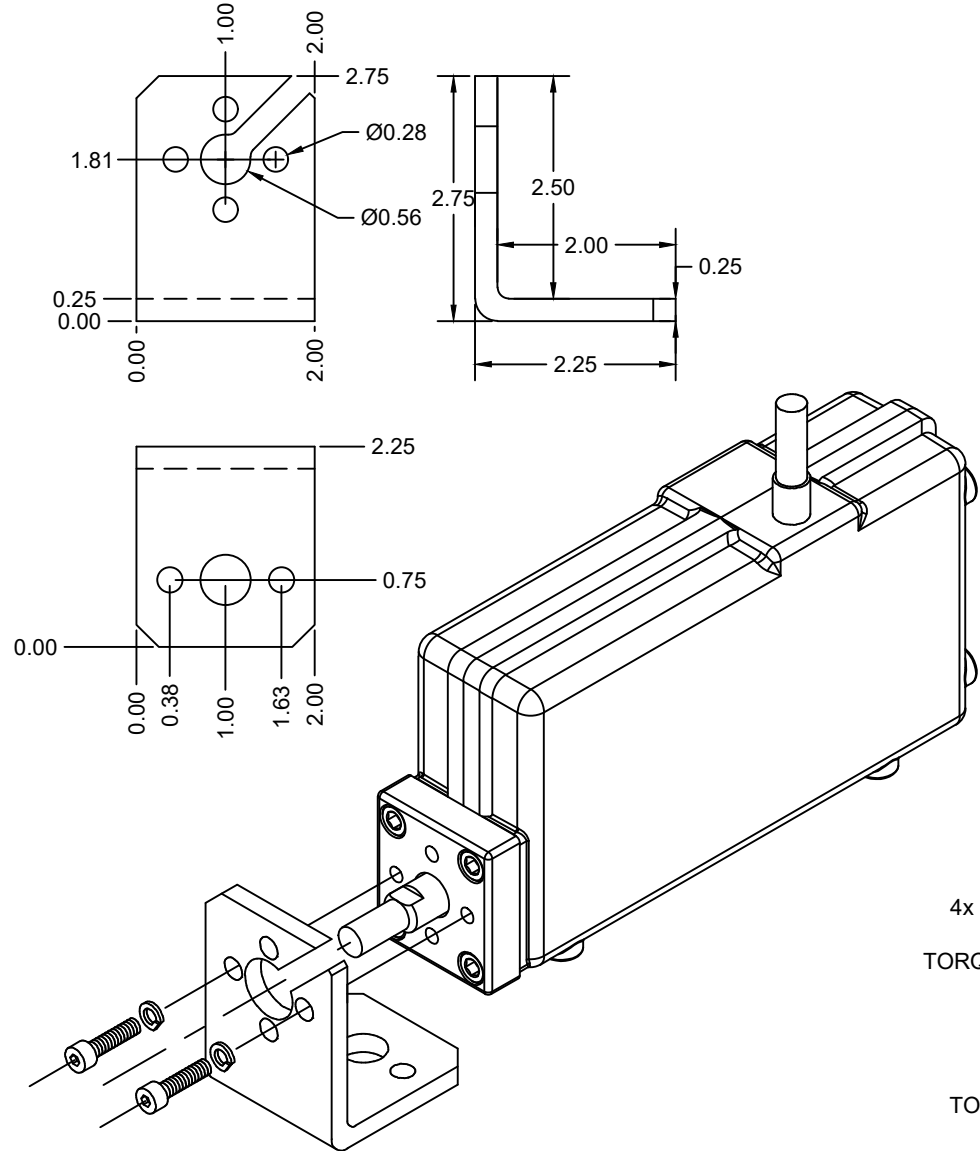
NO LOAD SPEED: 3 INCH/SECOND

ENVIRONMENTAL:

OPERATING TEMPERATURE: -40 TO +85°C

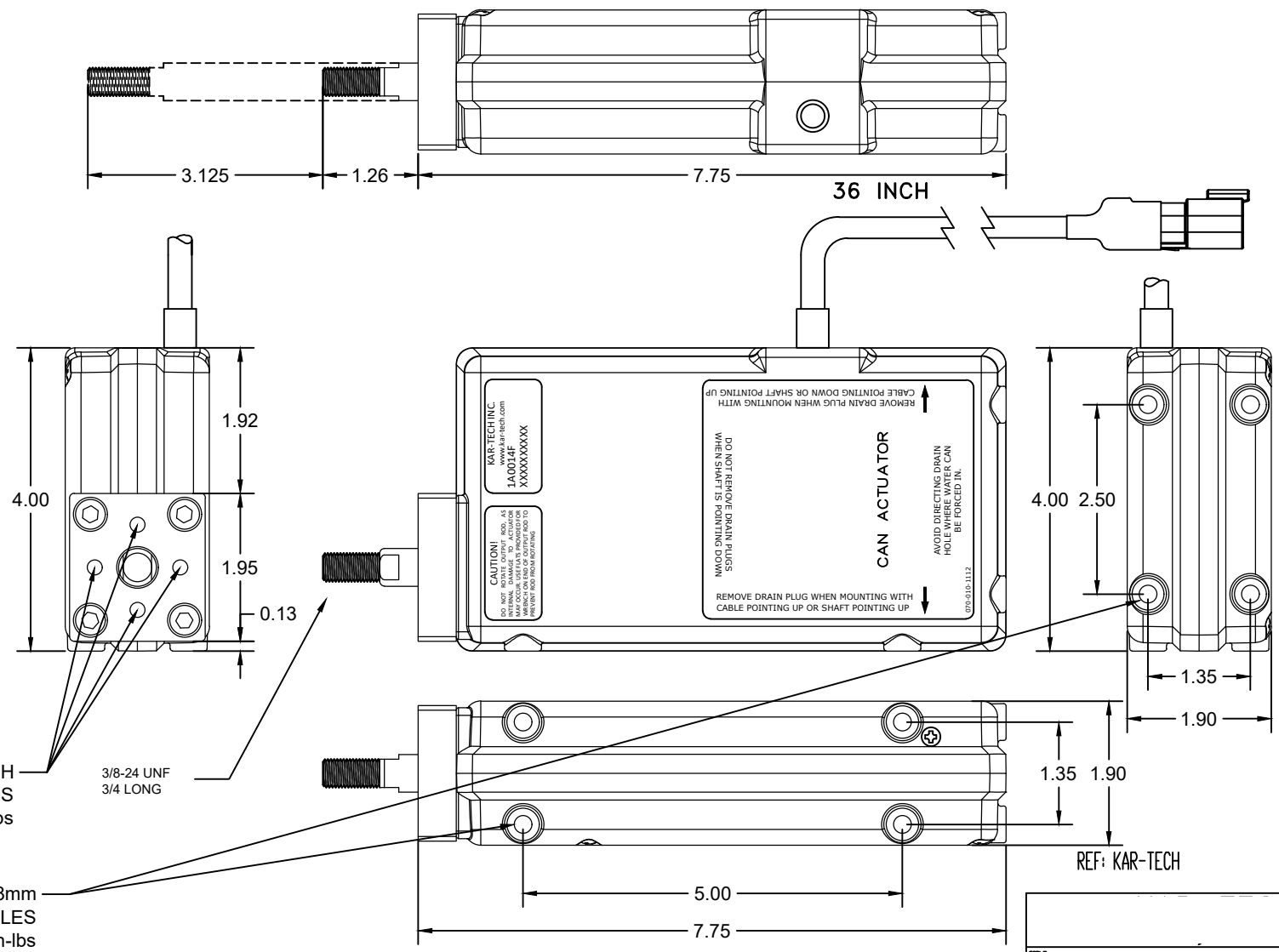


SUGGESTED MOUNTING BRACKET



4x 1/4-20UNC x 3/8 INCH MOUNTING HOLES TORQUE RATING 140in-lbs

8x M6x1x8mm MOUNTING HOLES TORQUE RATING 140in-lbs



REF: KAR-TECH

F	T.H.	09-21-22	REL
REV	BY	DATE	DESCRIPTION
DO NOT SCALE PRINT			
THIS DRAWING IS THE PROPERTY OF KAR-TECH INC. AND ALL THE INFORMATION THEREIN IS CONFIDENTIAL AND MUST NOT BE MADE PUBLIC, NOR COPIED, NOR USED TO THE DISADVANTAGE OF KAR-TECH INC. AND IS SUBJECT TO RETURN ON DEMAND.			

TITLE		IMPLIED TOLERANCE	
3IN 90LB LINEAR CAN ACTUATOR		XX	± .1
		XXX	± .06
		XXXX	± .015
		FRACTIONAL	± 1/8
CAD DRAWING DID NOT REVISE MANUALLY		ANGULAR	± .05 deg
SCALE	DRAWN	DATE	CHECKED
FULL	T.H.	09-21-22	
DRAWING NO.		1A-001-4-F-3 D	